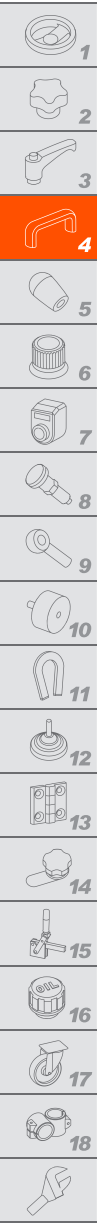


GN 426.5 | Bridge handles

Stainless steel



STANDARD EXECUTIONS

- **GN 426.5-20-A:** AISI 304 stainless steel bar Ø 20 mm, sandblasted matte finish. Threaded blind holes.
 - **GN 426.5-28-A:** AISI 304 stainless steel tube Ø 28 mm, thickness 2 mm, sandblasted matte finish
- AISI 304 stainless steel tapped bosses in the tube.

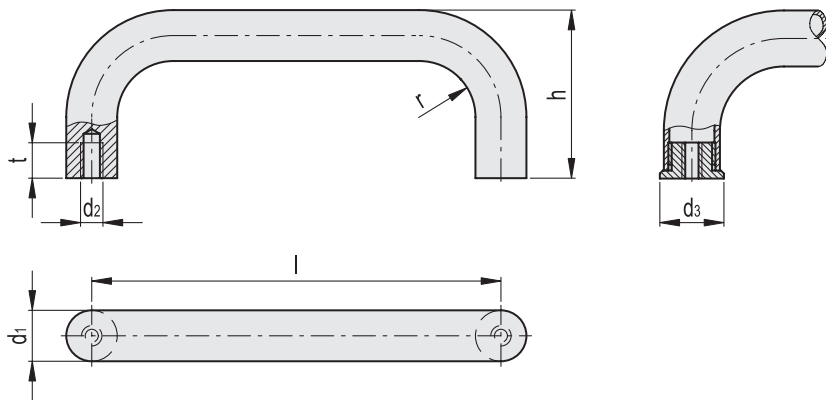
SPECIAL EXECUTIONS ON REQUEST

- Different lengths.
- GN 426.5-B: for assembly opposed to the standard execution.



GN 426.5-20-A

GN 426.5-28-A



Conversion Table	
1 mm = 0.039 inch	
mm	inch
200	7.87
250	9.84
300	11.81
400	15.75



Code	Description	d1	l±0.5	d2	d3	h	r	tmin	⚖
GN.27005	GN 426.5-20-200-A	20	200	M8	-	68	22	15	690
GN.27007	GN 426.5-20-250-A	20	250	M8	-	68	22	15	730
GN.27009	GN 426.5-20-300-A	20	300	M8	-	68	22	15	960
GN.27013	GN 426.5-28-250-A	28	250	M10	32	90	32	17	550
GN.27015	GN 426.5-28-300-A	28	300	M10	32	90	32	17	625
GN.27017	GN 426.5-28-400-A	28	400	M10	32	90	32	17	730

Handles

2